

Secured by Design



Official Police Security Initiative

suredor®



Security assured for complete peace of mind

Manse Masterdor Ltd

A member of the Litchfield Group of Companies

TMO10037503/1
TMO10037503_0001

The first impression a visitor gets of the home is the front door and it is important for the home and the owner that it looks its best. A door from the **suredor®** collection will enhance the property while giving top thermal performance, noise reduction, draught exclusion and providing effective security against intruders.

Historically the choice of entrance door has been limited to either traditional timber, which can bow, warp, shrink or split and requires regular maintenance, or plastic, which lacks the authentic wooden door appearance and may crack or dent and is susceptible to expansion and contraction.

suredor® fibreglass composite doors now offer the perfect solution. The door skins in Glass Reinforced Polymer (GRP), are made with a modern thermosetting process. They look like wood and are unaffected by variations in temperature.

The **suredor®** combines this new technology door skin with modern sub-frame and core materials to produce a composite door which offers the following advantages:

The Complete Door Solution

- Range of styles and sizes.
- Choice of glass options.
- Multiple hardware options.

Energy Efficient & Environmentally Friendly

- 6 times better insulation than timber.
- Free of CFC's.
- Enhanced soundproofing.

Authentic Appearance

- Woodgrain or smooth finishes available. Woodgrain effect looks like real wood.
- Compression moulded, high definition, panel design gives craftsman-like finish.
- Available in colour or stained finish.

Strong & Durable

- High impact-resistant fibreglass.
- 45mm thick leaf for increased security.
- Will not bow, warp, crack, splinter or dent.
- Does not expand or contract with variation in temperature.

Technologically Advanced

- High strength skins give enhanced security.
- Engineered composite rails and stiles completely protect the insulating core.
- Pre-pigmented, colour through skins are scratch resistant and waterproof.

Manufacturers Warranty

- Each **suredor®** carries a 10 year manufacturer's warranty.
- **suredor®** door blades and frames carry 25 year manufacturers' warranties.

Secured by Design



Official Police Security Initiative

That last... and last... and last... and last!

Available Style Options as of 16/02/2009

suredor GRP

| | | | | | | | | |
|--------------|-------|------|------|-------|------|------|------|-------|
| | | | | | | | | |
| Grained Skin | SG03 | SG05 | SG07 | SG08 | SG11 | SG15 | SG34 | SG34C |
| Smooth Skin | SS03 | SS05 | SS07 | SS08 | SS11 | SS15 | SS34 | SS34C |
| | | | | | | | | |
| | SS34G | SS4X | SSA2 | SSA2G | | | SSB3 | SSX |

Please Note: Subject to alteration. Colours used are for illustration only. Some door styles may not be available. For more information contact our sales team on 01423 866868.

Available as a 30 minute rated Fire Door.

Police Preferred Specification Secured By Design.



White RAL9016 Black RAL9017 Red RAL3013 Blue RAL5004 Green RAL6009 Oak RAL70507 Mahogany RAL3005

Standard Colour Range

Styles are available in White, Black, Red, Blue, Green, Oak and Mahogany.

suredor®

ADVANCED SPECIFICATIONS

The **suredor®** fibreglass composite doors not only look good, but give long term performance, stability and security.

They include specially designed locks, handles and hinges to ensure secure, reliable operation and years of good service.

DOOR LEAVES - Door skins made from GRP (Glass Reinforced Polymer), are produced using a sheet moulded compound process, and are compression moulded to give high-definition panel design, offering an authentic grained timber appearance. The GRP skins are bonded to a PVC composite sub-frame, which offers complete waterproofing of the insulating core, and removes all exposed timber from the door. The insulating core of the door leaf is made from 100% CFC-free polyurethane, which provides superior thermal performance, and enhances the doors soundproofing.

OUTER FRAME - The door blades are hung in a specially designed, 5 chamber 70mm, multiple-seal, white, fully reinforced PVCu outer frame. Low barrier-free threshold sills are also offered to accommodate ♿ wheelchair access.



Engineered composite stiles and rails

Deep grain profiled

Advanced 100% CFC-free

Reinforced PVCu



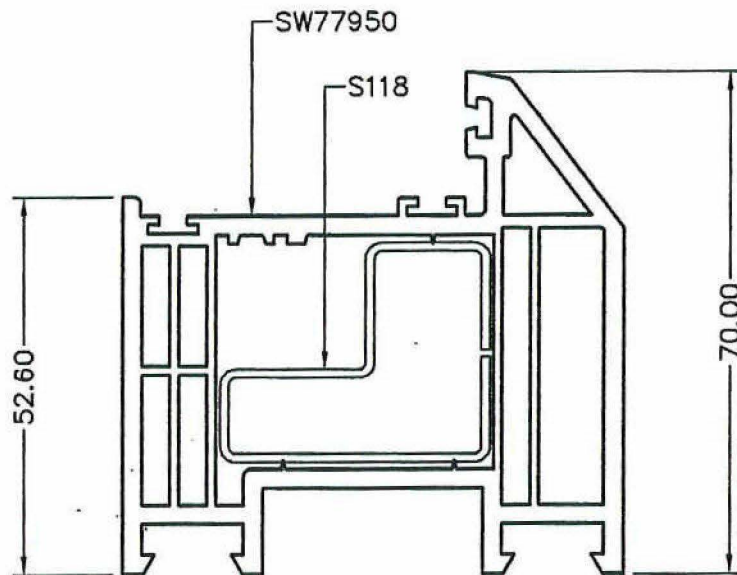
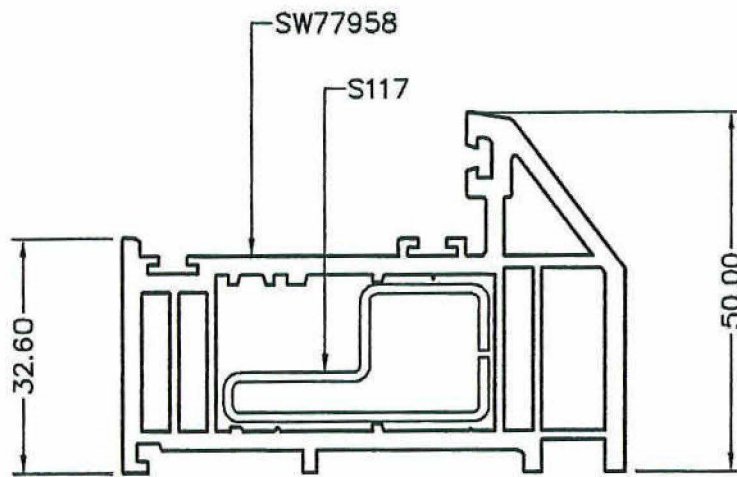
Exposure category 800 special

HARDWARE - The doors are fitted with high- security locks, quality hardware and door accessories.

GLAZING - The doors are available in a wide range of glass options. (See our glass leaflet for details).

FRAME SECTIONS

Suredor's are normally supplied with a 70mm x 70mm frame (SW77950). However, composite doors are usually supplied with pre-sized panel moulds and, to accommodate them where openings are narrow, a 20mm narrower frame is used (SW77958).





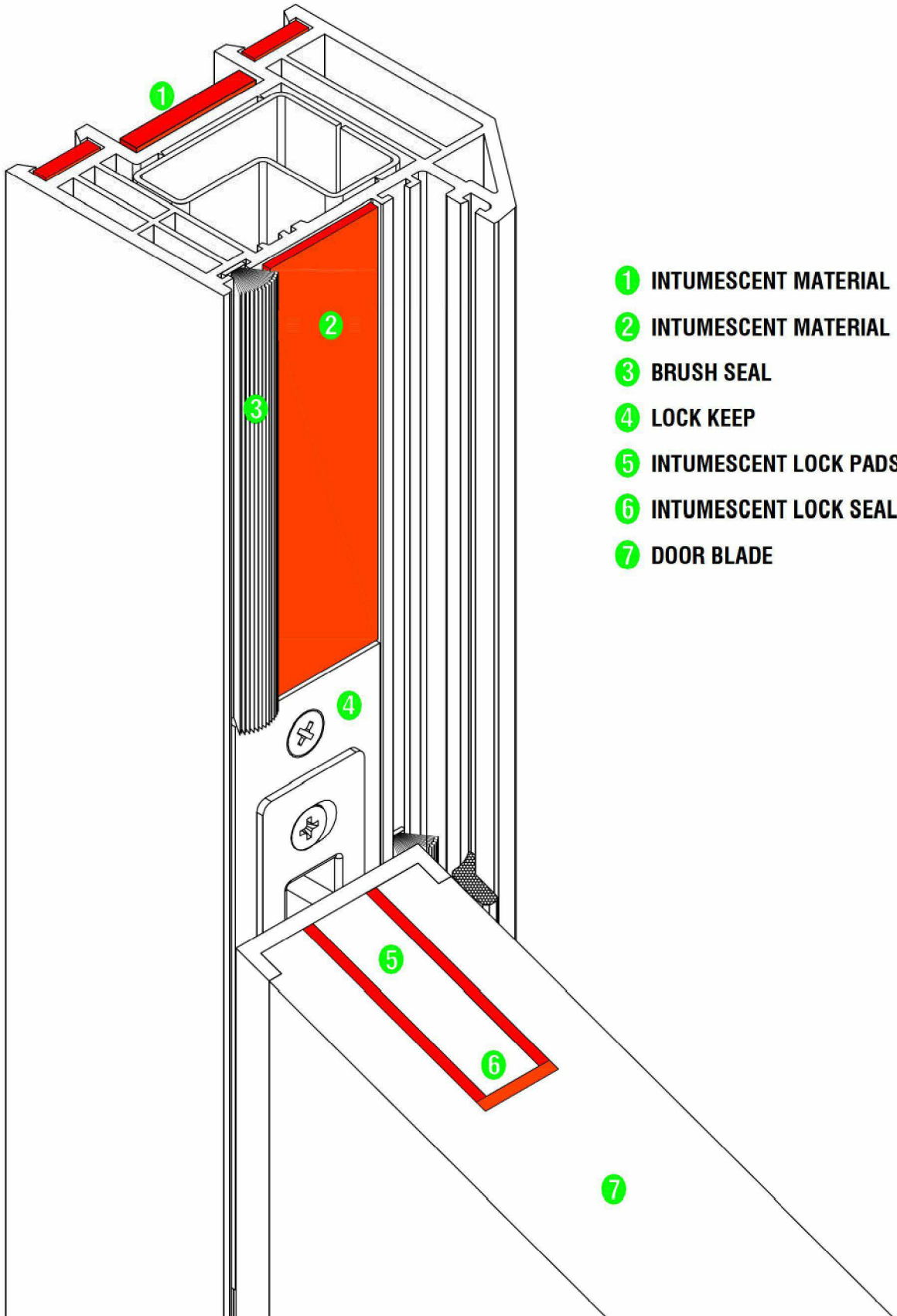
suredor[®]

COMPOSITE FIRE DOOR FD30
TESTED TO BS 476 PRT 22

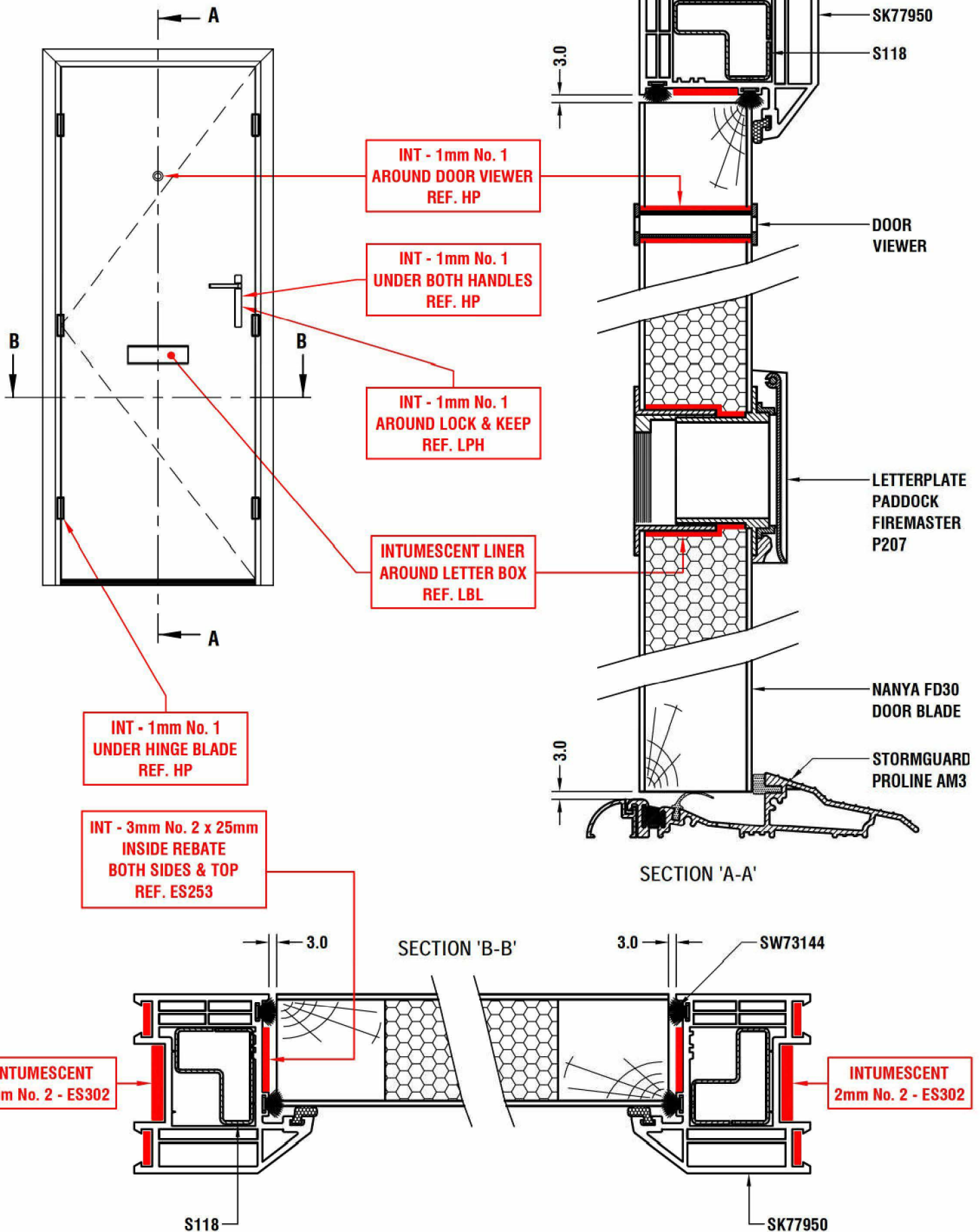
- GENERAL DESCRIPTION OF PARTS
- VERTICAL & HORIZONTAL CROSS SECTIONS
- PICTORIAL VIEW OF DOOR BLADE
- PICTORIAL VIEW OF OUTER FRAME
- GENERAL ASSEMBLY DETAILS

FIRE TEST REPORT No. BTC 14434F (REPORT AVAILABLE ON REQUEST)

COMPOSITE FIRE DOOR FD30
GENERAL DESCRIPTION OF PARTS

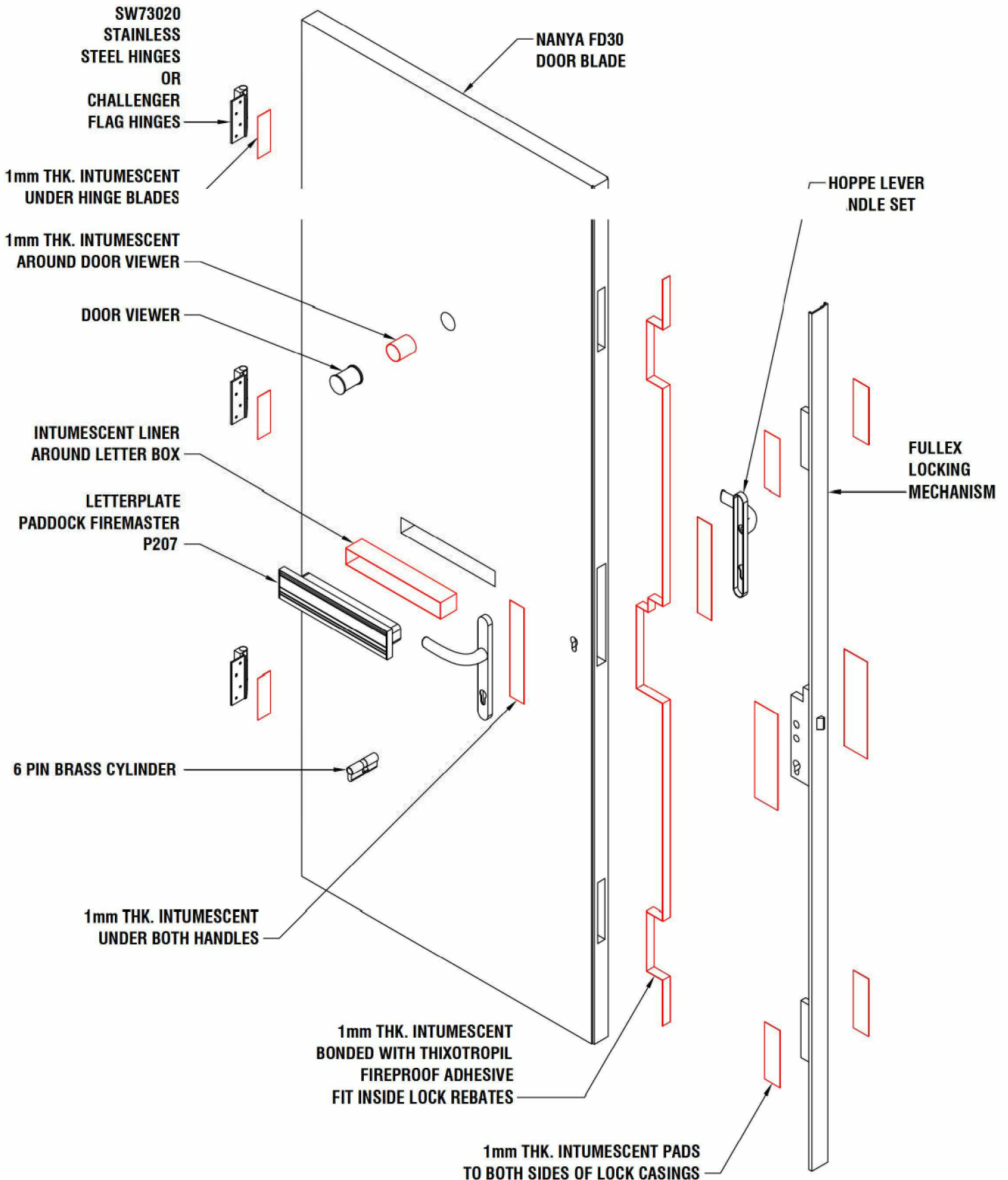


COMPOSITE FIRE DOOR FD30
VERTICAL & HORIZONTAL CROSS SECTIONS



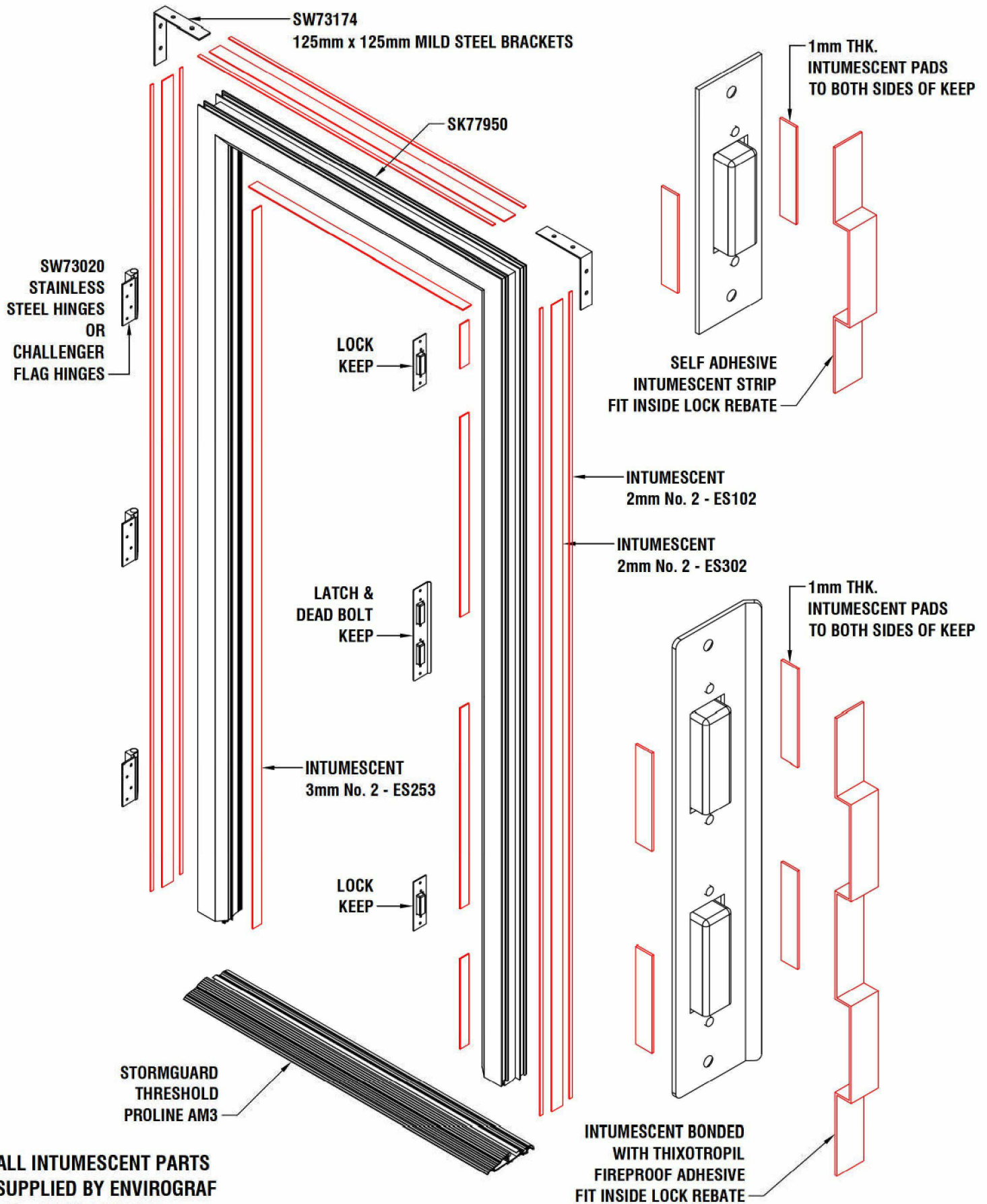
COMPOSITE FIRE DOOR FD30

PICTORIAL VIEW OF DOOR BLADE WITH COMPONENT DESCRIPTIONS AS TESTED AT THE B.P.B. TEST CENTRE



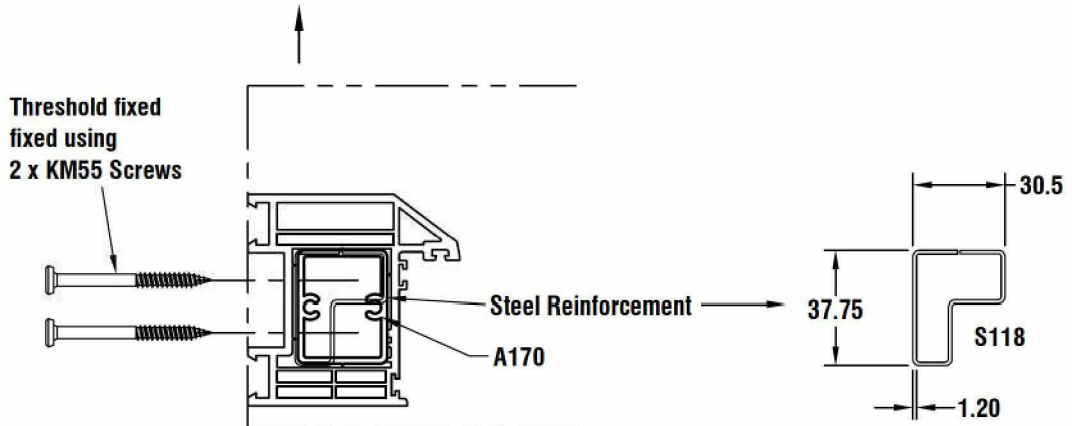
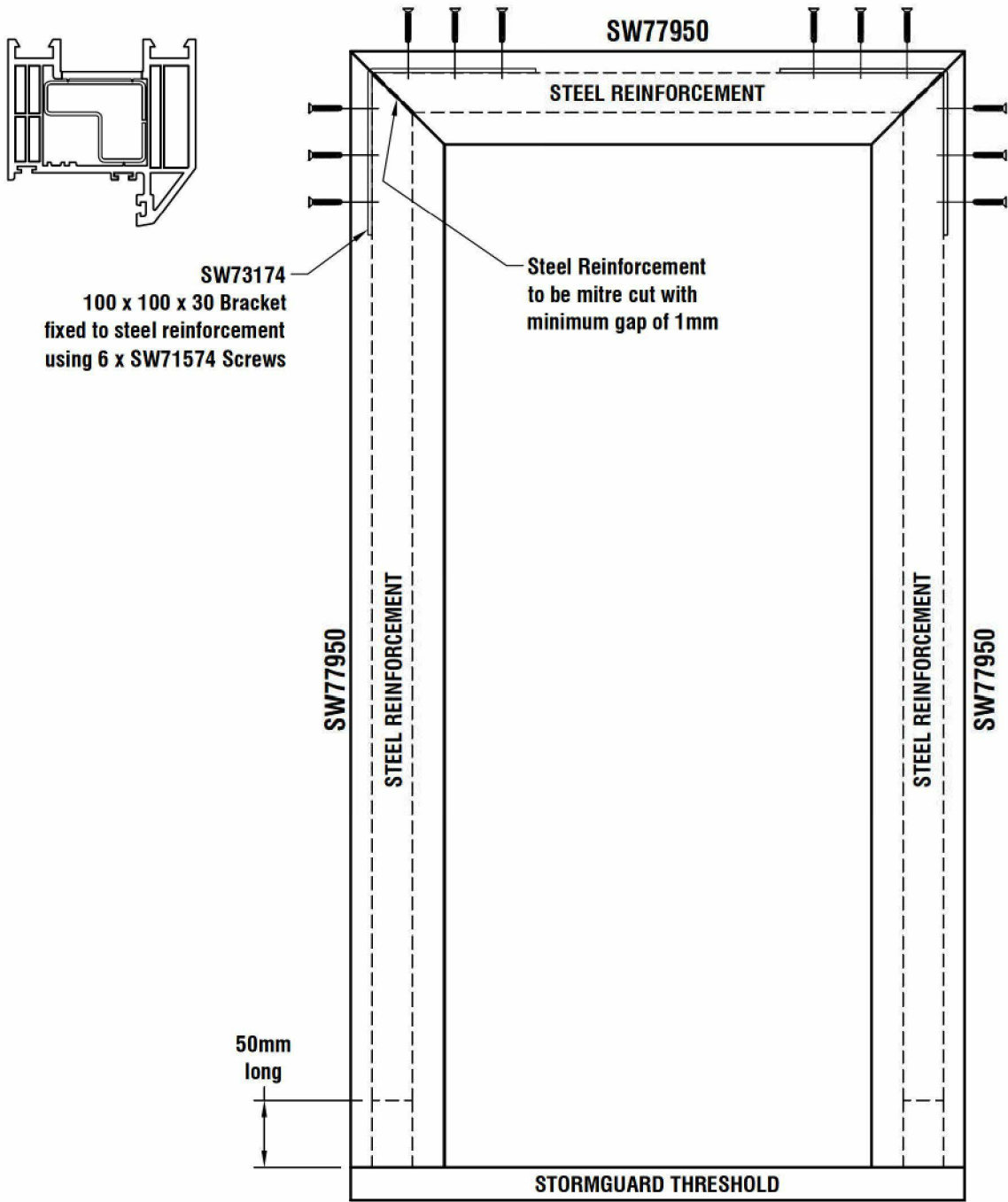
COMPOSITE FIRE DOOR FD30

PICTORIAL VIEW OF OUTERFRAME WITH COMPONENT DESCRIPTIONS AS TESTED AT THE B.P.B. TEST CENTRE



ALL INTUMESCENT PARTS
SUPPLIED BY ENVIROGRAF
TEL:- 01304 842555

COMPOSITE FIRE DOOR FD30
 OUTERFRAME GENERAL ASSEMBLY DETAILS



Accreditations and Memberships

Testing

PAS 23-1: 1999 (General performance requirements for door assemblies)

PAS 24-1: 1999 (Enhanced security performance requirements for door assemblies)

Sold Security Test Standard – SS306-Silver Level (Door Handle Assembly).

BS 476 Part 22 Suredor FD 30 testing to satisfy the criteria for integrity and stability.

Licences

Secure by Design - Issued by the Association of Chief Police Officers (ACPO)

Kitemark Licences - PVCu windows manufactured to BS 7412

- BS 7950 / BS 7413 / EN 12608 systems kitemarks held by L.B.Plastics Ltd, our parent company.

Registrations

Constructionline Registration No: 275

FENSA (The Fenestration Self Assessment Scheme) Registration No: 11879

BS EN ISO 9001: 2000 - Quality Management System. Certificate No: FM 28813

BS EN ISO 14001: 2004 – Environmental Management System.
Certificate No: EMS 507920

Certificates

FAST (Federation Against Software Theft) – Approved company/managers/auditors

CHAS (Contractors Health and Safety Assessment Scheme) – Accredited company.

Glass Charter Industry Scheme - Member.

A scheme administered by The Glass and Glazing Federation

Memberships of trade associations

The Federation of Master Builders Membership No: 19345

The Guild of Master Craftsmen Membership No: A019882

suredor®



Manse Masterdor Limited
Hambleton Grove
Knaresborough
North Yorkshire
HG5 0DB

Tel: [REDACTED]
Fax: [REDACTED]
E-mail: info@masterdor.co.uk